

BRUNNER FIREPLACES



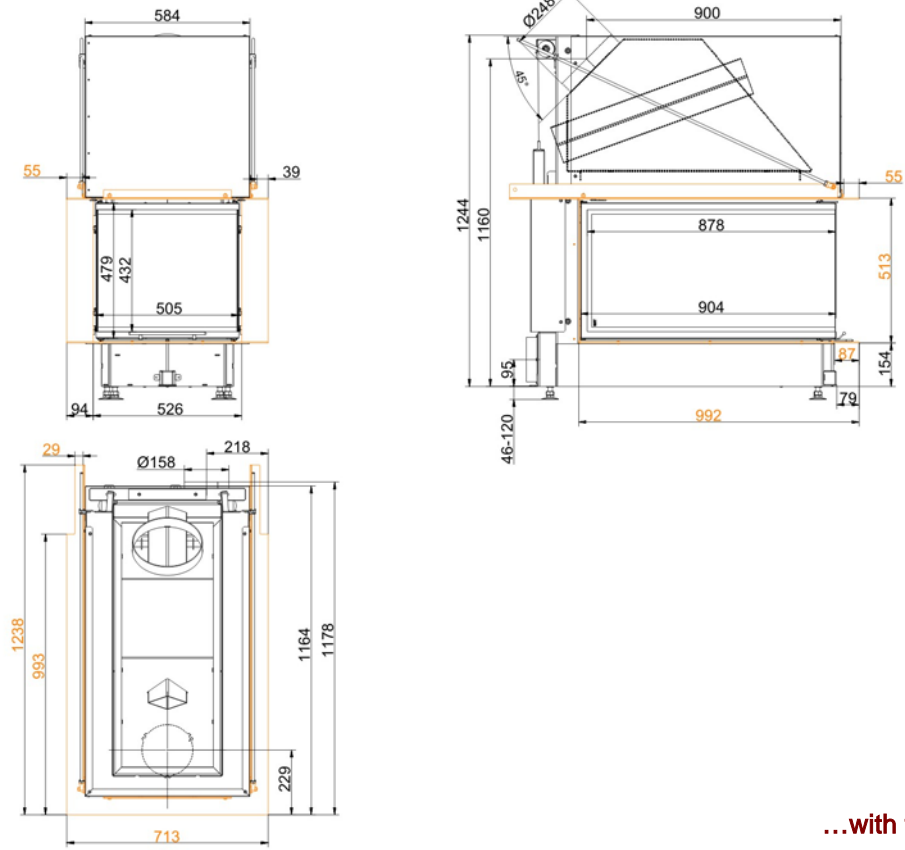
Panorama-Kamin 51/88/50/88 lifting doors

Version 4.4

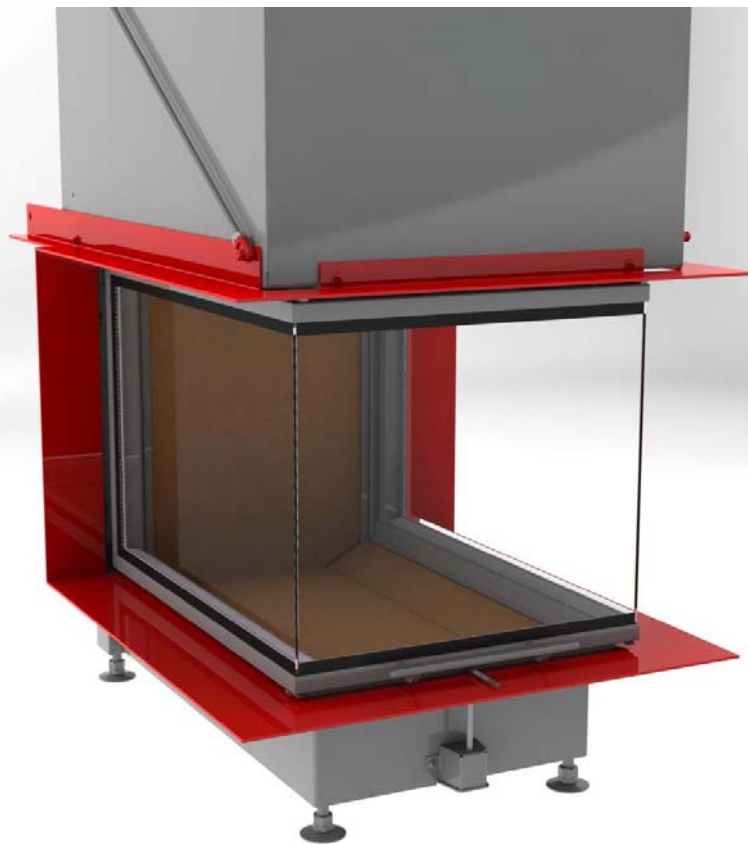


BRUNNER[®]
made in germany

Dimension sheet | **Panorama-Kamin 51/88/50/88 lifting doors**

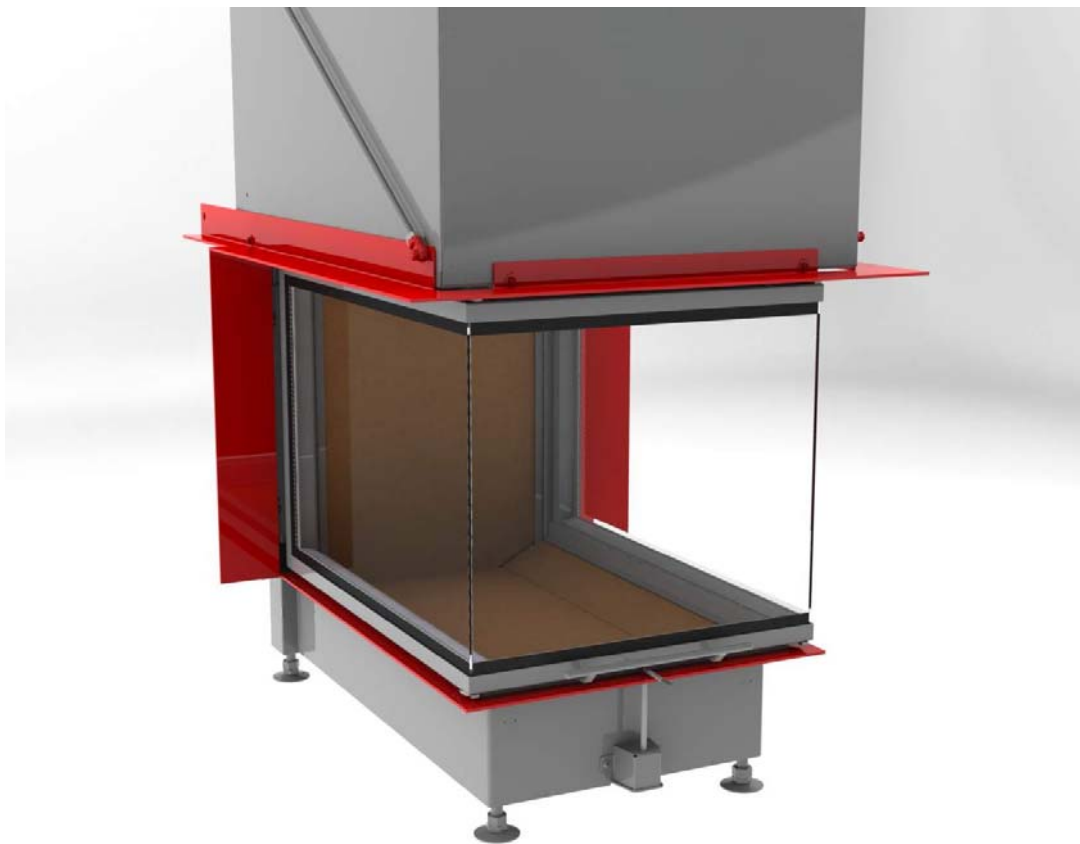
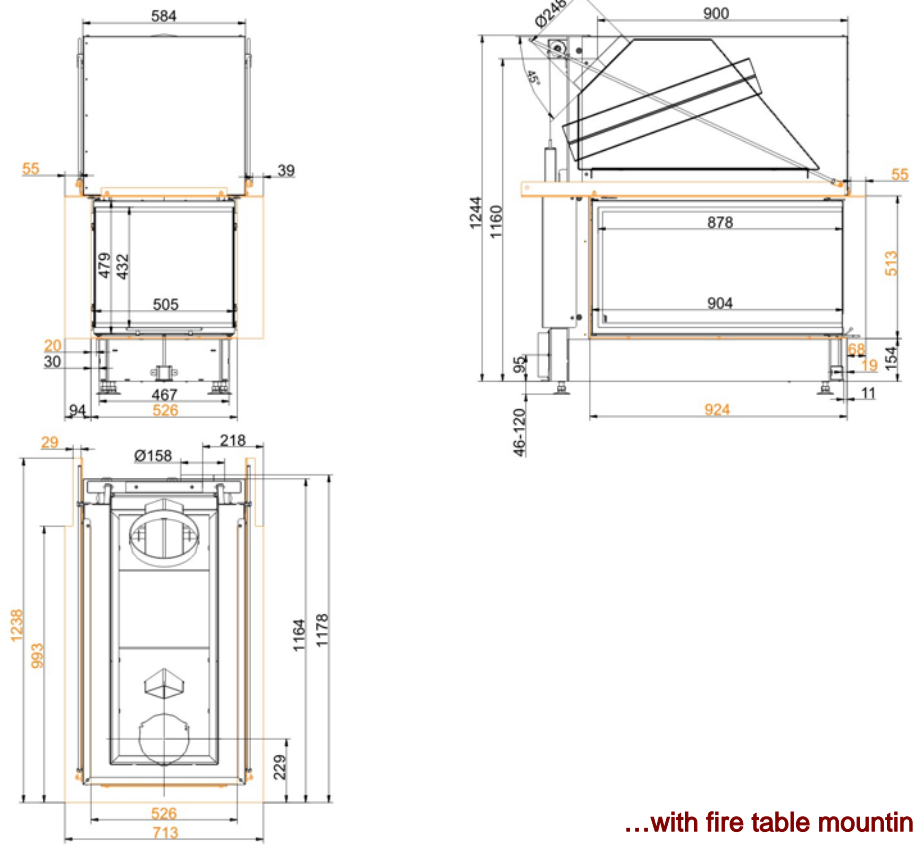


...with fire table



We suggest for CAD planing Palette CAD. Permanent updated drawings: www.brunner.de
Frames / front versions are marked colored.

Dimension sheet | **Panorama-Kamin 51/88/50/88 lifting doors**



We suggest for CAD planing Palette CAD. Permanent updated drawings: www.brunner.de
Frames / front versions are marked colored.

Planning and installation

Panorama-Kamin 51/88/50/88

Tested according to	EN 13229 W	EN 13229 W
Values measured at	nominal load	open door
Suitable for all construction types according to rules	OK	OK
Data for functional demonstration		
Rated heat power	kW 13	-
Firewood consumption	kg/h 4	4
Combustion performance	kW 17	17
Flue gas mass flow	g/s 16	100
Outlet temperature (before heating surface)	°C -	-
Flue gas temperature after		
attached steel smoke hood	°C 270	130
adjoining cast iron radiator (GNF10)	°C -	-
accumulation rings (MAS) ¹⁾	°C -	-
adjoining ceramic accumulator ²⁾	°C -	-
ceramic modular accumulator (KMS system)	°C -	-
water boiler	°C -	-
Necessary supply pressure	Pa 13	9
Combustion air consumption	m ³ /h 45	260
Combustion air connection Ø	mm 160	160
Heat distribution		
Insert / heating surface	% 50 / -	- / -
Glass (single / double)	% 50 / -	- / -
Boiler	% -	-
Cross-section of gratings for max. warm air power		
Supply air	cm ² 1000	0
Warm air	cm ² 1000	0
Minimal oven surface for closed construction type		
Surface giving off heat	m ² 4,0	-
Space inside oven chamber		
Distance to oven chamber wall	cm 8	8
Distance to floor	cm -	-
Heat insulation without / with ³⁾ air gratings		
Wall	cm 16 / 12	16 / 12
Floor	cm 2 / 2	2 / 2
Ceiling	cm 25 / 18	25 / 18
Insulation of additional fire door DHT	cm -	-
Brick lining of protected walls	cm 10	10
Weight		
Fireplace + burning chamber	kg	316 + 49
Approvals		
Germany / Austria / Switzerland	1.BImSchV (Stufe 1) / 15a BVG / LRV	

1) Throttle flap recommended

2) Approximate value, must be calculated eventually

3) Values with air gratings, stove casing is heat conducting

Ulrich Brunner GmbH
 Zellhuber Ring 17 -18
 D-84307 Eggenfelden
 Phone: +49 / (0)87 21 / 7 71-0
 Fax: +49 / (0)87 21 / 7 71-100
 info@brunner.de | www.brunner.de



BRUNNER products are offered and sold only by qualified dealers and service centres.
 Subject to technical and assortment changes. Errors excepted. (7/10)