

OPERATION WHEN DIRECTLY CONNECTED TO CHIMNEY	
Tested according to	EN 13229
Nominal heat power	5,9 kW
Efficiency	> 80 %
Consumption of wood	1,9 kg/h
Mass flow of flue gas	5,4 g/s
Average flue gas temperature on the output	245 °C
Heat distribution	
fireplace insert	64–75 %
door glass (single / double)	36 / 25 %
Required chimney pressure	12 Pa
Required amount of combustion air	20 m ³ /h
Minimum supply air grating cross-section	600 cm ²
Minimum outgoing air grating cross-section	700 cm ²

OPERATION WITH CONNECTED ACCUMULATION MASS	
Load of wood	4,5 kg
Total heat output of the burning chamber	18 kW
Mass flow of flue gas	15 g/s
Average flue gas temperature on the output ¹⁾ past 3,2 m of ceramic accumulation system KMS 240 ²⁾	395 °C 162 °C
Heat distribution	
fireplace insert	35 %
door glass (single / double)	36 / 25 %
adjoining accumulation mass	29–40 %
Required chimney pressure	12 Pa
Required amount of combustion air	45 m ³ /h

GENERAL TECHNICAL INFORMATION	
Combustion air connection	Ø 125 mm
Total weight / lining weight	175 ^(A) - 116 ^(B) / 45 kg
Use in non-ventilated accumulation builds according to craft rules	suitable
Meets values	BlmSchV (Stufe2), 15a BVG

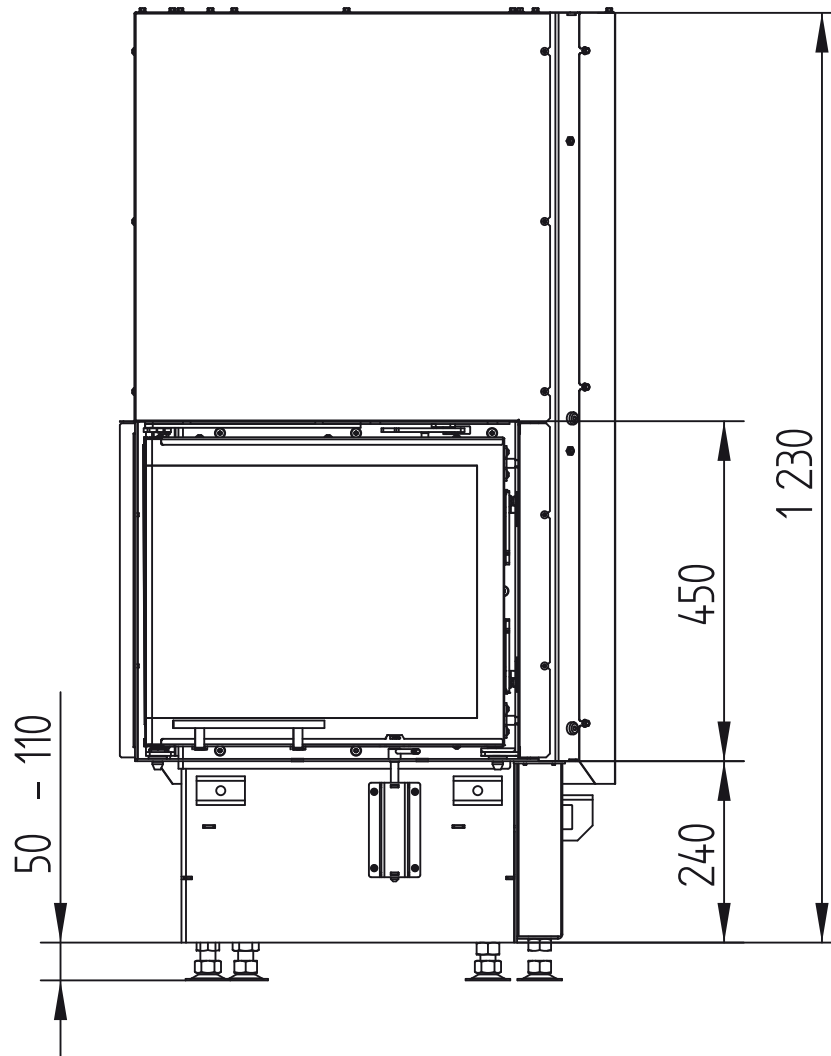
1) The Hoxter products are available in the Austrian stove-calculation program for evaluation of firebrick accumulation systems.

2) Only a sample calculation! For accurate results is evaluation of each system in the KMS-calculation program from the Ortner company necessary.

ECKA 50/35/45Lh^(A)

Technical data
Version 11/2014

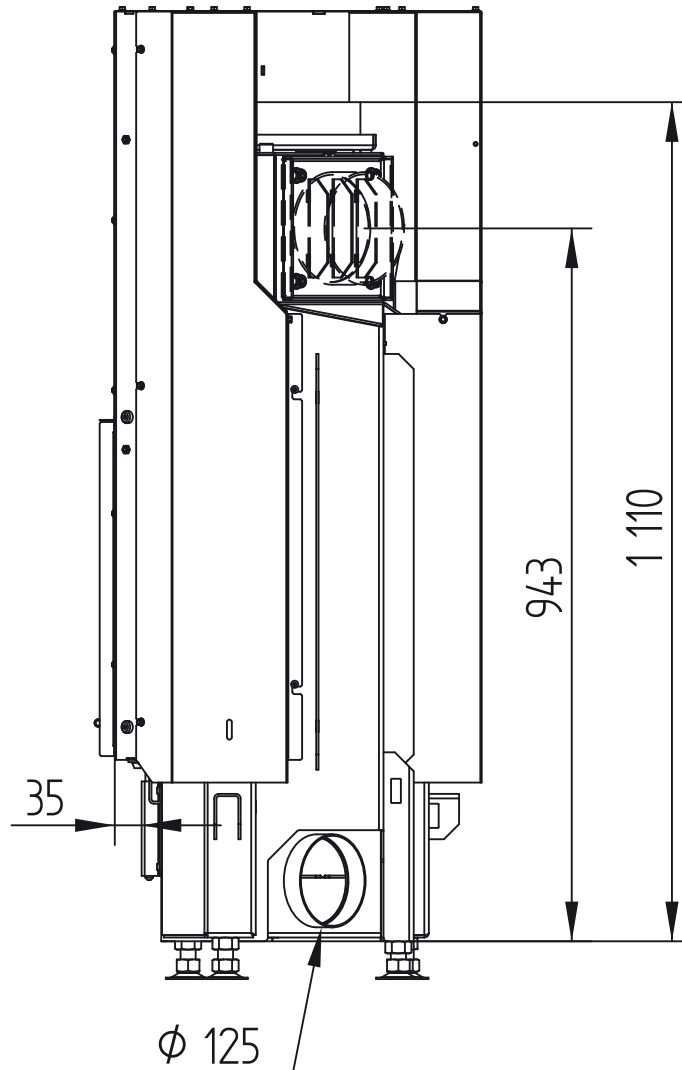
M 1 : 10



ECKA 50/35/45Lh^(A)

Technical data
Version 11/2014

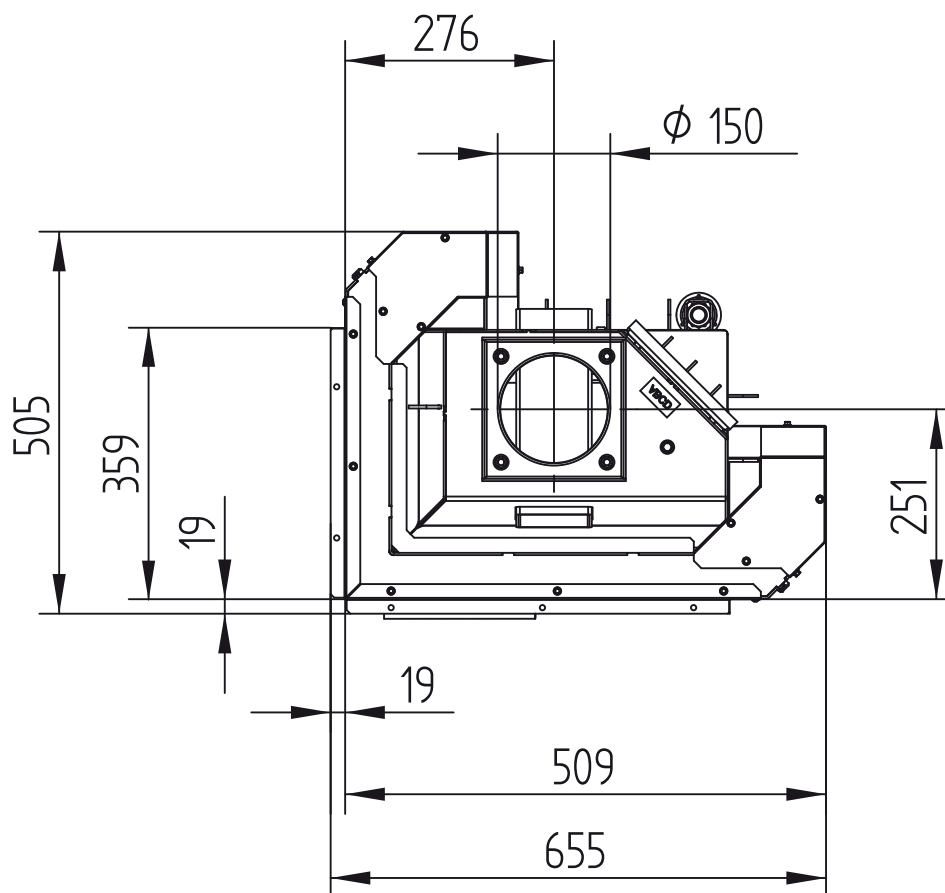
M 1 : 10



ECKA 50/35/45Lh^(A)

Technical data
Version 11/2014

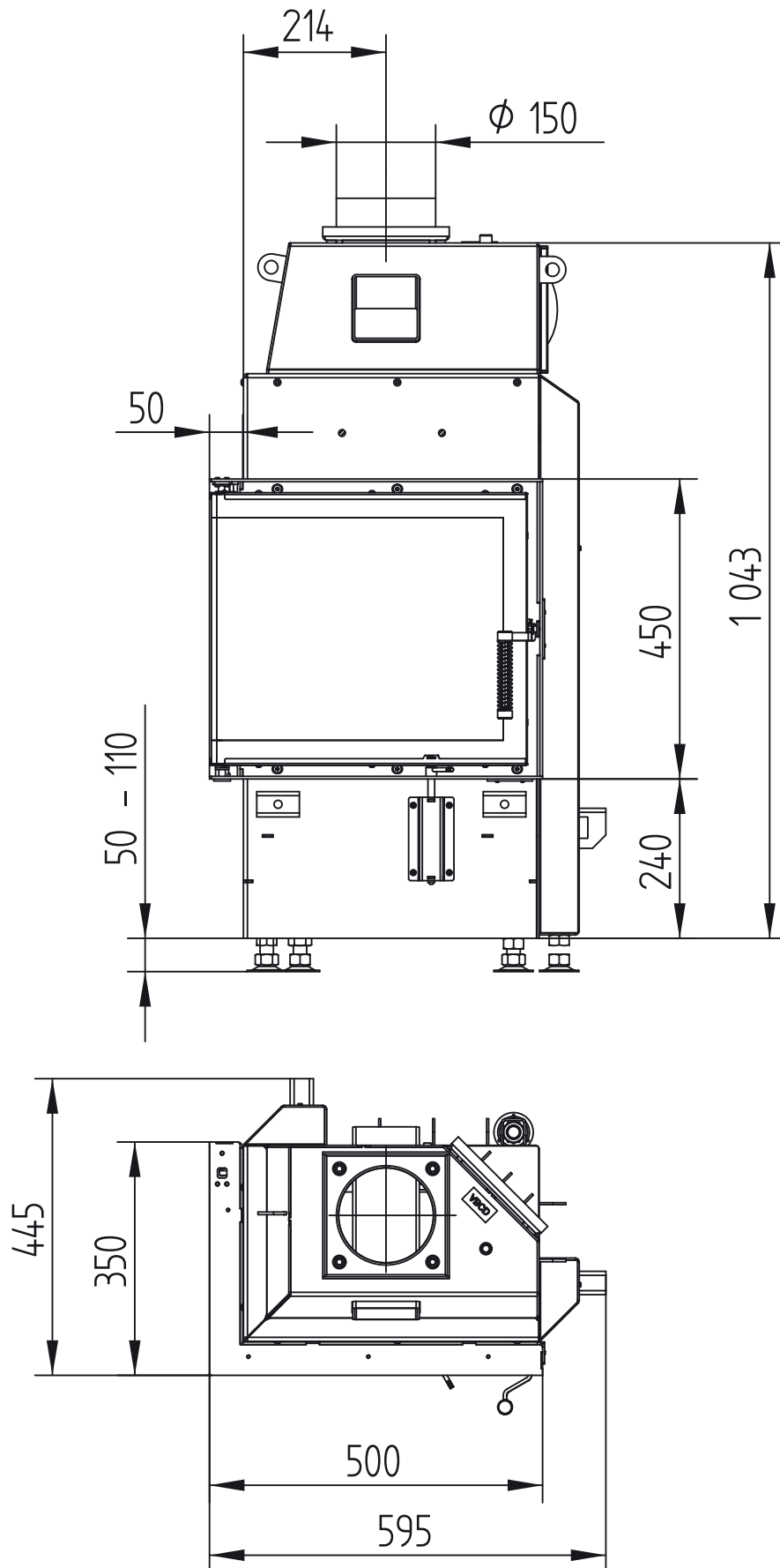
M 1 : 10



ECKA 50/35/45L^(B)

Technical data
Version 11/2014

M 1 : 10



ECKA 50/35/45L ^(B)

Technical data
Version 11/2014

M 1 : 10

