

OPERATION WITH CONNECTED ACCUMULATION MASS - ACCUMULATION PERIOD 12 H	
Tested according to	EN 13229
Efficiency	> 80 %
Load of wood (minimum / average / maximum)	7 / 10 / 14 kg
Heat power (with accumulation period 12 h and load of wood Ø 10kg)	3,0 kW
Total heat output of the burning chamber (load of wood Ø 10kg)	36,1 kW
Mass flow of flue gas (load of wood Ø 10kg)	33,0 g/s
Average flue gas temperature on the output ¹⁾ past 4,5 m of ceramic accumulation system ²⁾	558 °C 200 °C
Heat distribution mass storage heater door glass (single / double) adjoining accumulation mass	25 % - / 30 % 45 %
Required chimney pressure ³⁾	12 Pa
Required amount of combustion air	100 m ³ /h

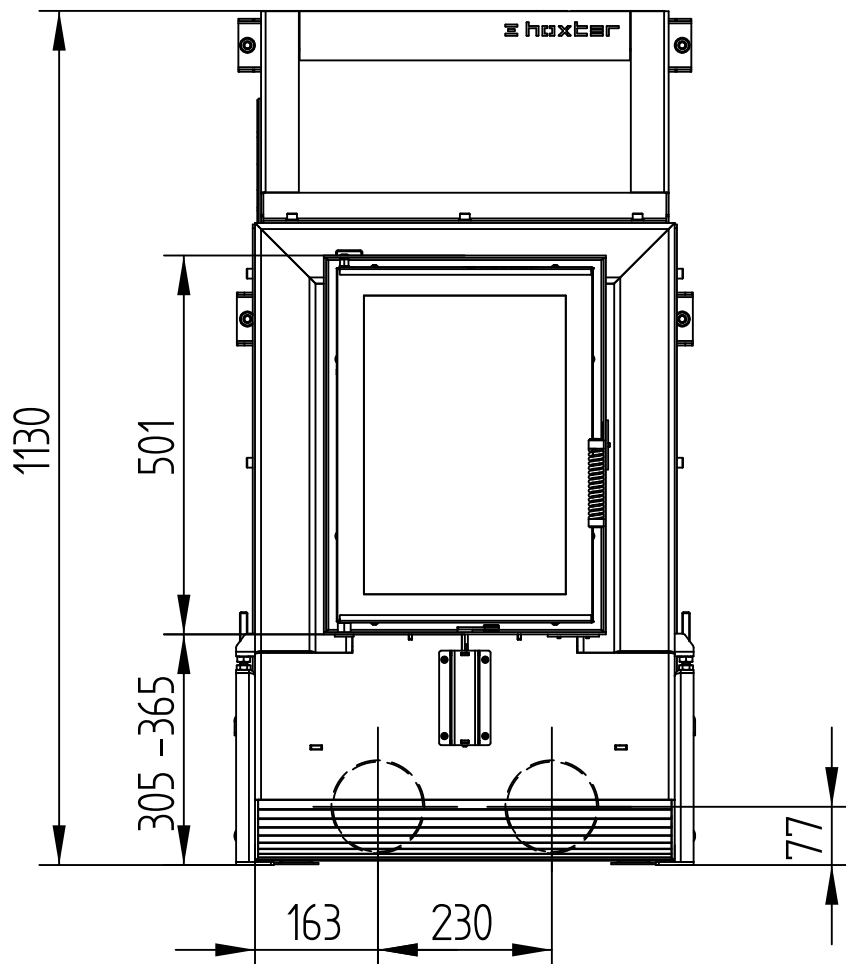
GENERAL TECHNICAL INFORMATION	
Combustion air connection	2 x Ø 125 mm
Total weight / heater accumulation mass weight	cca 508 / 312 kg
Use in non-ventilated accumulation builds according to craft rules	suitable
Meets values	BlmSchV (Stufe2), 15a BVG

- 1) The Hoxter products are available in the Austrian stove-calculation program for evaluation of firebrick accumulation systems.
- 2) Reference value - for accurate results is evaluation of every system in a calculation program necessary.
- 3) For SF without adjoining accumulation mass.

SF 31.45 - 37/50T

Technical data
Version 07/2015

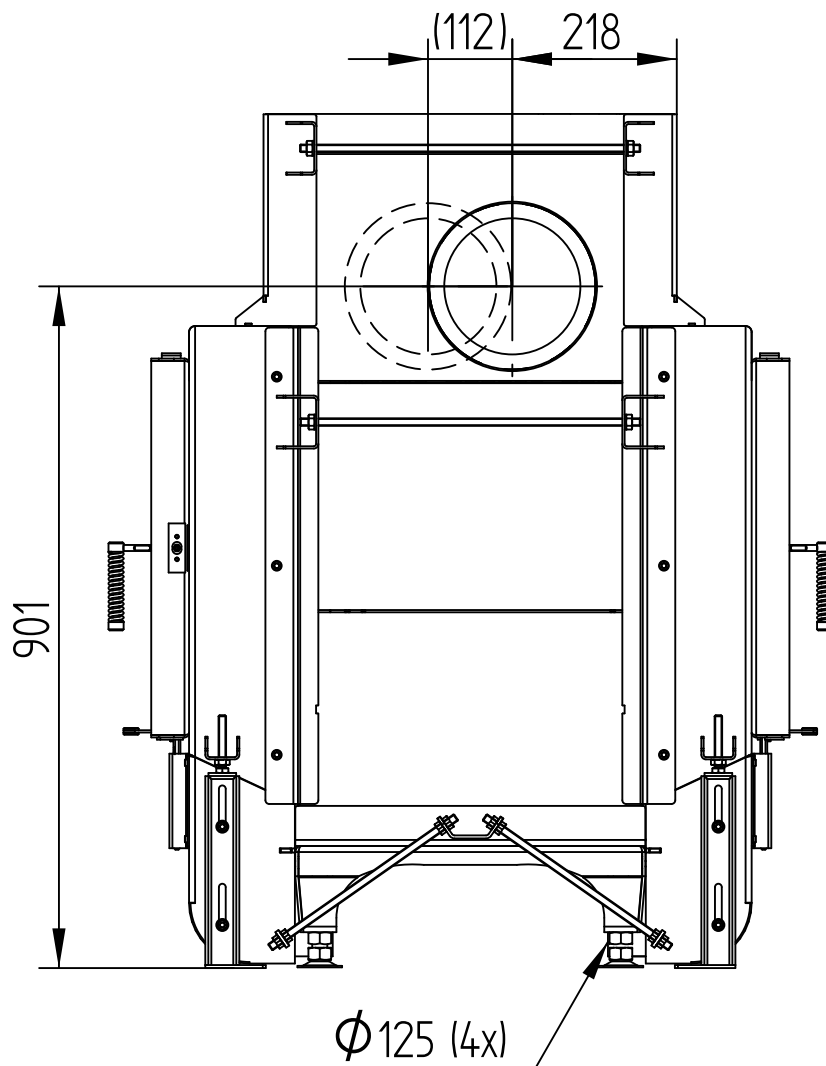
M 1 : 10



SF 31.45 - 37/50T

Technical data
Version 07/2015

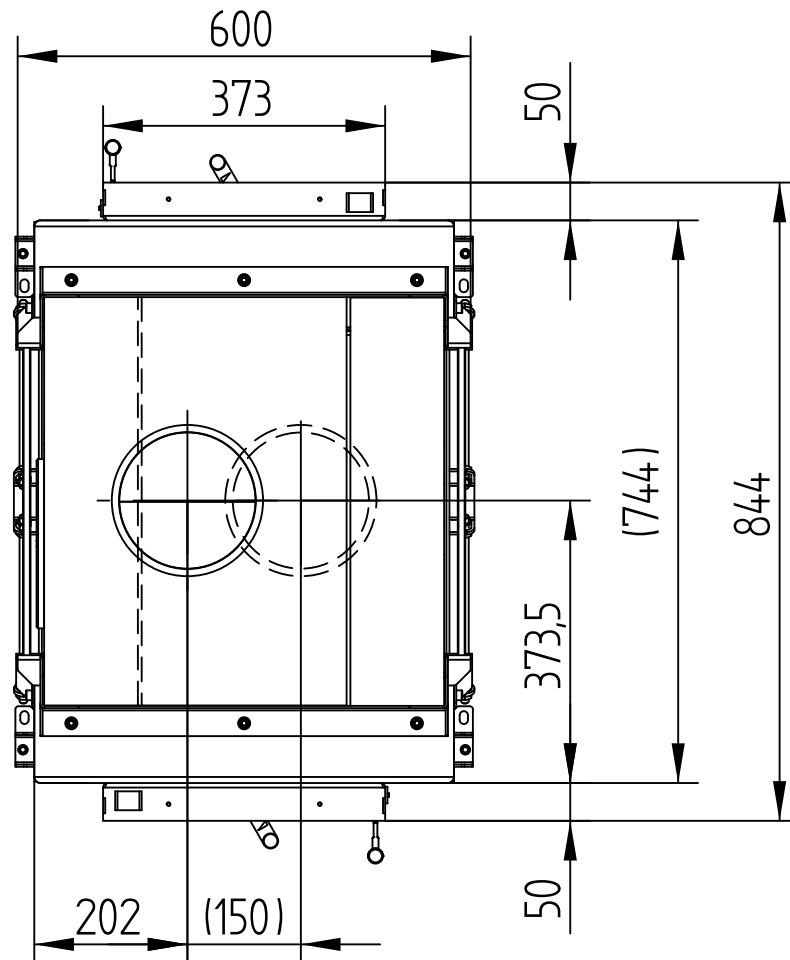
M 1 : 10



SF 31.45 - 37/50T

Technical data
Version 07/2015

M 1 : 10

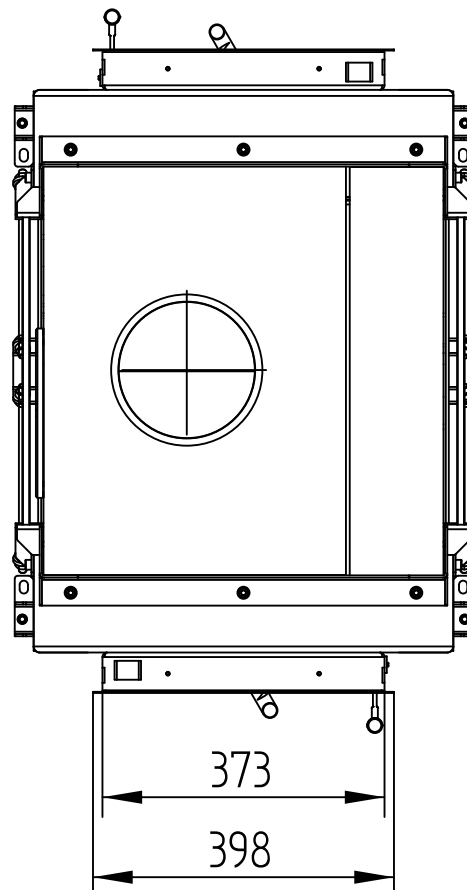
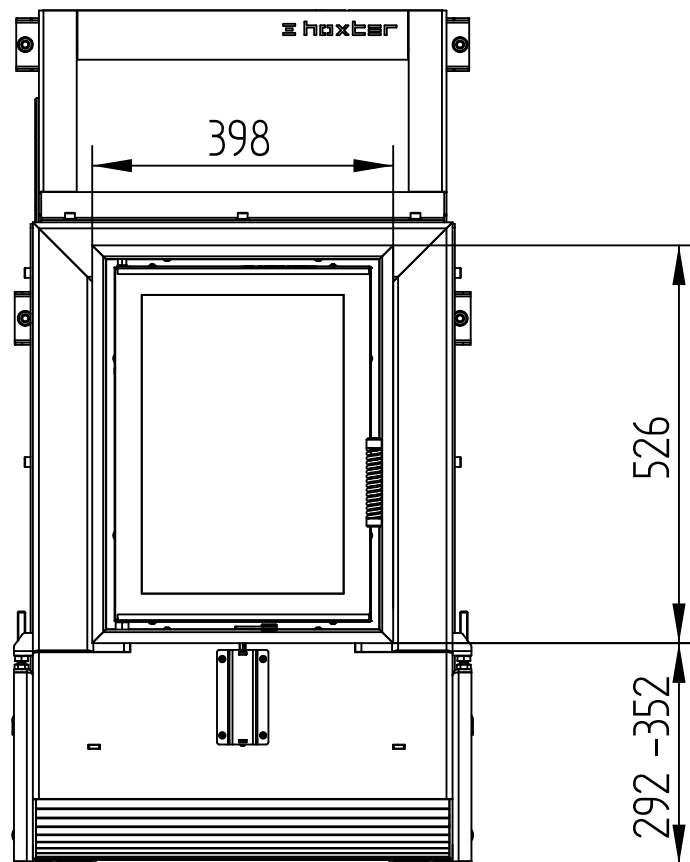


SF 31.45 - 37/50T

Technical data
Version 07/2015

COVER FRAME 4-SIDED 1 x 90°

M 1 : 10

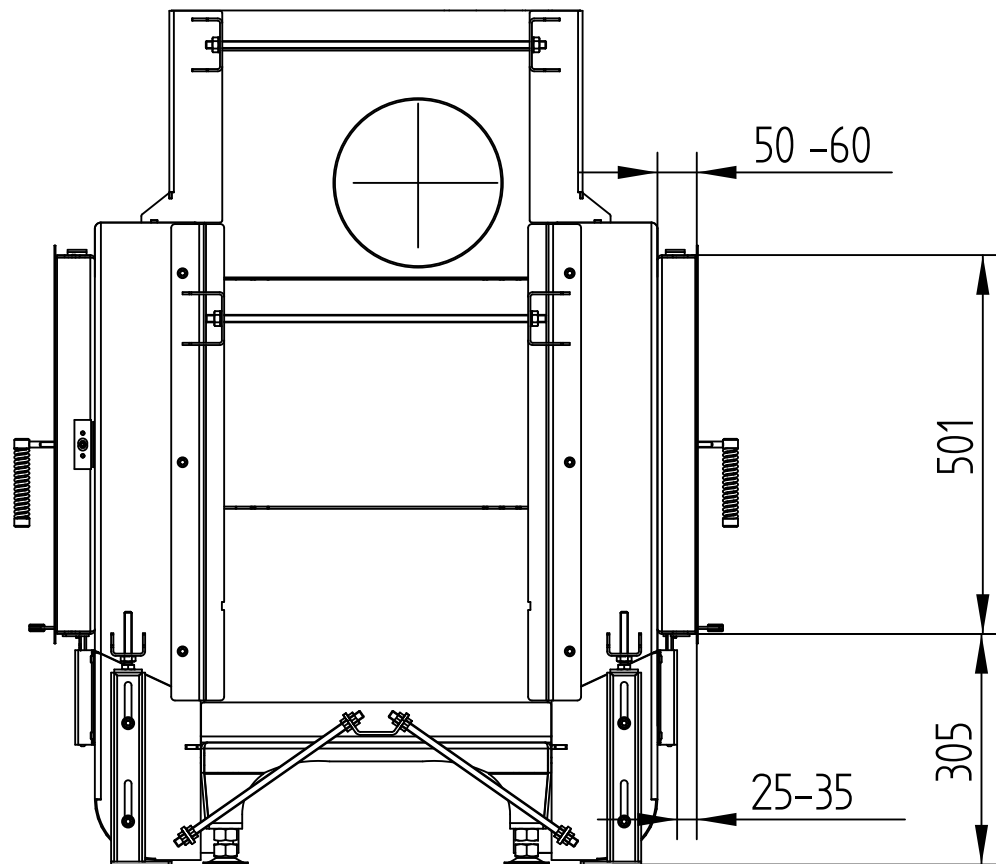


SF 31.45 - 37/50T

Technical data
Version 07/2015

COVER FRAME 4-SIDED 1 x 90°

M 1 : 10

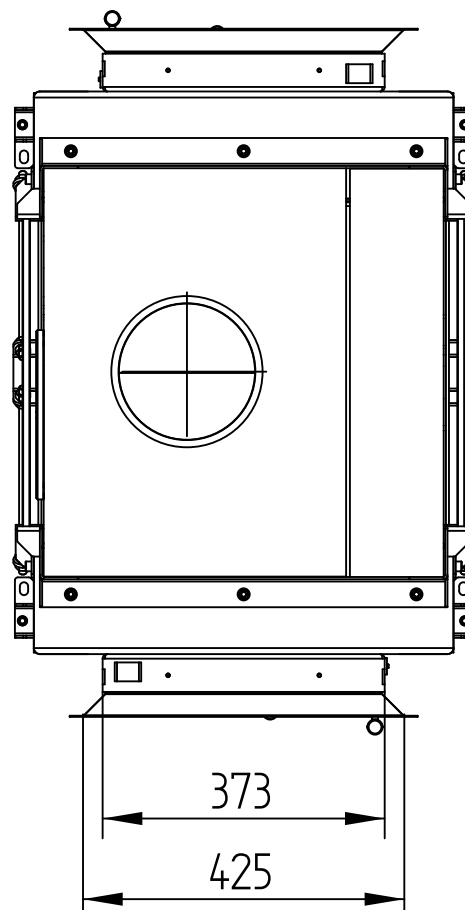
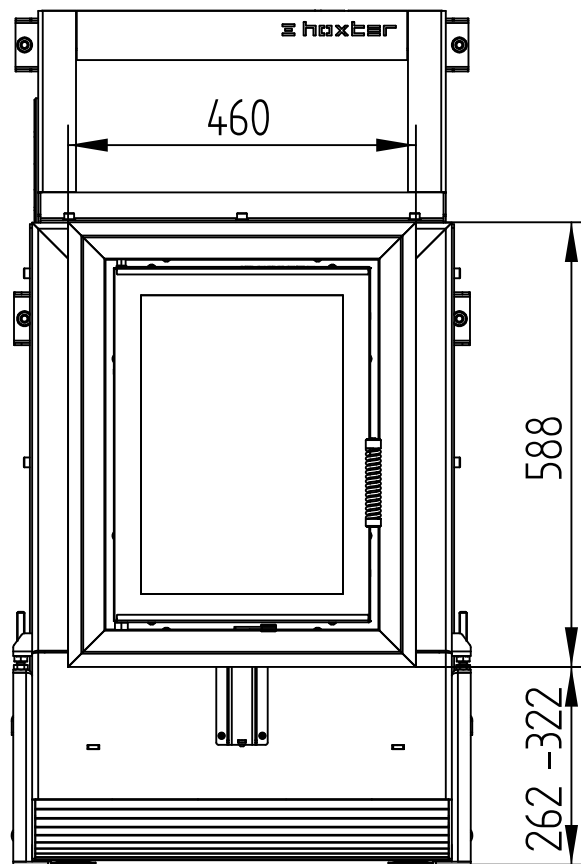


SF 31.45 - 37/50T

Technical data
Version 07/2015

COVER FRAME 4-SIDED 2 x 45°

M 1 : 10



SF 31.45 - 37/50T

Technical data
Version 07/2015

COVER FRAME 4-SIDED 2 x 45°

M 1 : 10

